

# Accessories

## Safety cover and Connectors RE and Circular Connectors

The GR 53, GR 63 und GR 80 series D.C. motors can be supplied equipped with safety covers and connectors.

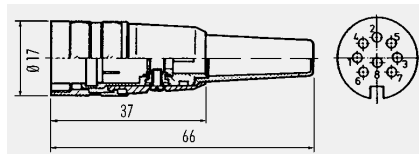
The safety cover is supplied in different lengths to accommodate designs without fittings on the non-drive side, or designs which have braking units or tacho generators mounted.

Cover diameter and length  $D\varnothing \times L$

Motor-Type	Without fittings $D\varnothing \times L$ mm
GR42	42x20
GR53	52x25
GR63	63x22
GR80	80x22

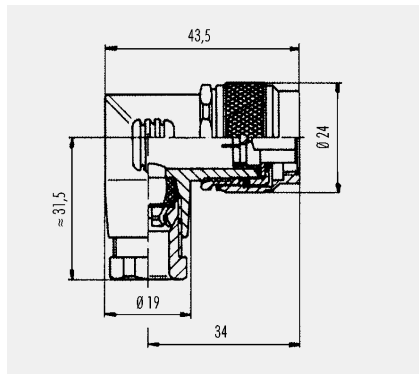
### Circular connectors for safety covers IP

Dimensions in mm



#### Coupling with screw plug

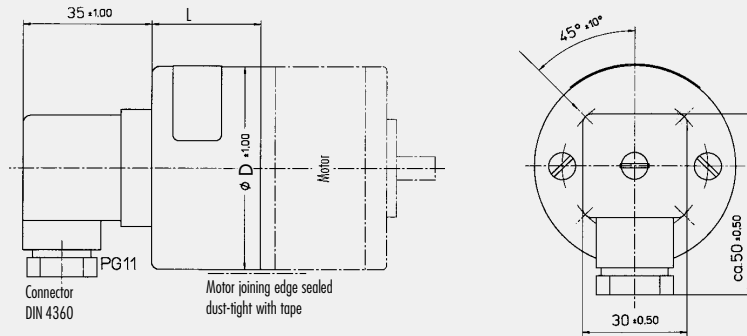
Protection class IP 40  
8pole, DIN 45326  
Order-No. 24320 57001



#### Angled housing with screw plug

Protection class IP 65, watertight  
8pole, DIN 45326  
Order-No. 24320 57010

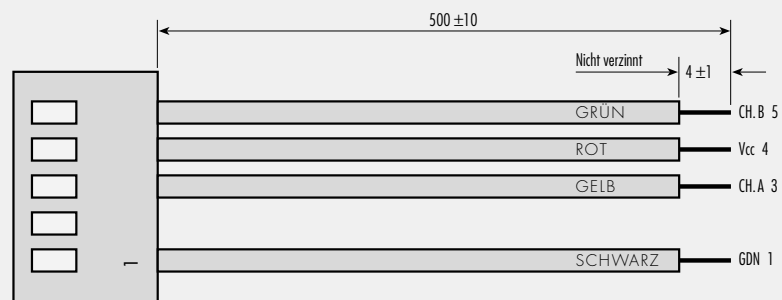
### Dimensional drawings · Dimensions in mm



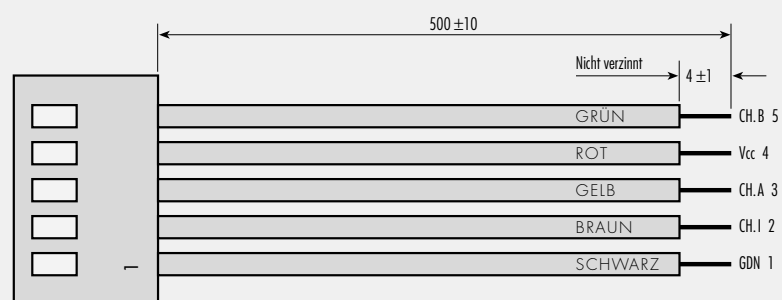
Motor with safety cover and connector

Pin configuration for Motor with brake/tacho

Connector 1 – Motor  
Connector 2 + Motor



Connector RE with cable for RE 30-2 and RE 56  
Order-No. 27573 37020



Connector RE with cable for RE 30-3  
Order-No. 27573 37026

#### Connector Molex, 5 pole, Typ 5051 M

Order-No. 22-01-1053  
with female contacts type 2759 for shell 5051 M  
Order-No. 08-50-0113

#### Connector Elco, 5 pole, Typ 8263

Order-No. 60-8263-3058-15-001  
with female contacts for shell 8263  
Order-No. 60-8263-0523-99-808

#### Stranded wire AWG 24

UL-approved 7 or more tinsel conductors, tin-plated Isolation diameter max. 1,57.  
Tear out force of stranded wire  $\geq 20$  N!