

## Application

The End Stop switch EAG30 is used for current switch-off in combination with the motors of the G30 series. It is used in lifting devices, agricultural machinery, hospital beds etc.

## Description

The EAG30 is designed explicitly for the G30 motors. The EAG30 is directly connected on the motor pins. The supply is soldered on the print. By using SMD components at the PCB, the EAG30 is compact. It has the same diameter as the G30 motor.

As soon as the current reaches the limit, the supply will be switched off. The circuit will be reset when power is disconnected or reversed. Motor peak currents are ignored by the built in delay of about 0.5 sec.



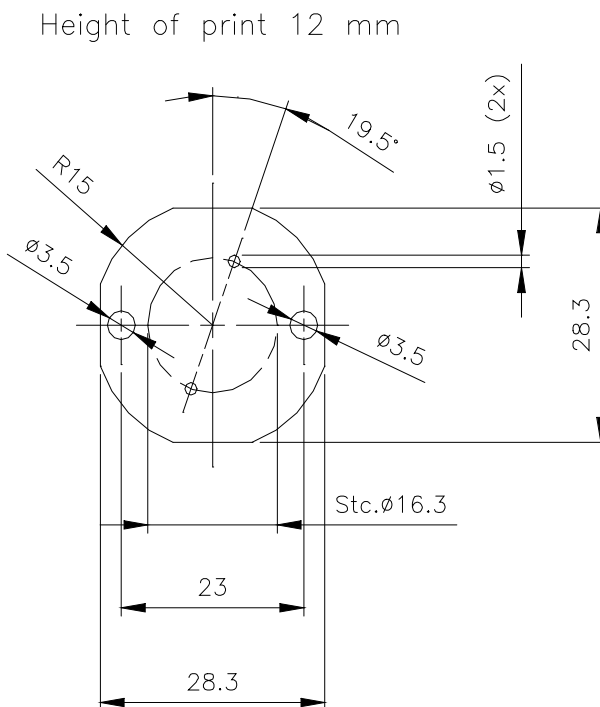
## Options

It is also possible to mount the EAG30 separate from the motor. For this application the unit will be connected with a cable. Other current limits than 1A are available for larger series.

## Specifications

Supply: 24VDC  
 Max current: standard 1 A,  
 other values on request

Supply 24VDC  
 TP3 and TP4  
 Ø 1,5 mm



Motor connection, (soldered on motor),  
 TP 1 and TP2  
 Ø 3,5 mm