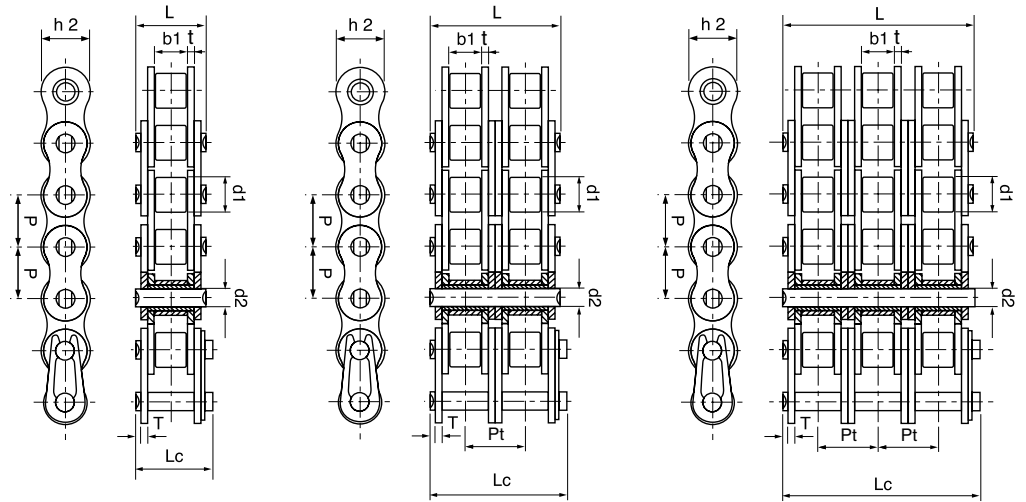


BRITISH STANDARD ROLLER CHAINS
BS 228, ISO R606, DIN 8187

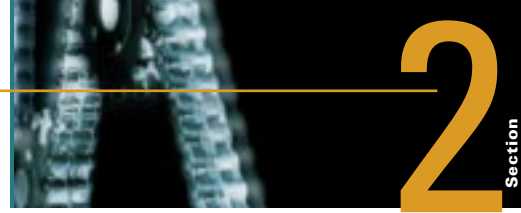


Product Code	ISO Chain No	Pitch	Roller Diameter	Width Between Inner Plates	Pin Diameter	Pin Length		Inner Plate Depth	Plate Thickness	Transverse Pitch	Minimum Tensile Strength	Average Tensile Strength	Weight per Metre
		P mm	d1 max mm	b1 min mm	d2 max mm	L max mm	Lc max mm	h2 max mm	t/T max mm	Pt mm	Q min kN	Qo kN	q kg/m
SIMPLEX													
431001060FEN	04B-1	6.000	4.00	2.80	1.85	6.80	7.80	5.00	0.60		3.00	3.20	0.11
431001090FEN	05B-1	8.000	5.00	3.00	2.31	8.20	8.90	7.10	0.80		5.00	5.90	0.20
431001180FEN	*06B-1	9.525	6.35	5.72	3.28	13.15	14.10	8.20	1.30		9.00	10.40	0.41
431001270FEN	08B-1	12.700	8.51	7.75	4.45	16.70	18.20	11.80	1.60		18.00	19.40	0.69
431001420FEN	10B-1	15.875	10.16	9.65	5.08	19.50	20.90	14.70	1.70		22.40	27.50	0.93
431001510FEN	12B-1	19.050	12.07	11.68	5.72	22.50	24.20	16.00	1.85		29.00	32.20	1.15
431001600FEN	16B-1	25.400	15.88	17.02	8.28	36.10	37.40	21.00	4.15/3.1		60.00	72.80	2.71
431001690FEN	20B-1	31.750	19.05	19.56	10.19	41.30	45.00	26.40	4.5/3.5		95.00	106.70	3.70
431001780FEN	24B-1	38.100	25.40	25.40	14.63	53.40	57.80	33.20	6.0/4.8		160.00	178.00	7.10
431001870FEN	28B-1	44.450	27.94	30.99	15.90	65.10	69.50	36.70	7.5/6.0		200.00	222.00	8.50
431001960FEN	32B-1	50.800	29.21	30.99	17.81	66.00	71.00	42.00	7.0/6.0		250.00	277.50	10.25
431002050FEN	40B-1	63.500	39.37	38.10	22.89	82.20	89.20	52.96	8.5/8.0		355.00	394.00	16.35
431002140FEN	48B-1	76.200	48.26	45.72	29.24	99.10	107.00	63.80	12/10		560.00	621.60	25.00
DUPLEX													
431001120FEN	05B-2	8.000	5.00	3.00	2.31	13.90	14.50	7.10	0.80	5.64	7.80	10.20	0.33
431001210FEN	*06B-2	9.525	6.35	5.72	3.28	23.40	24.40	8.20	1.30	10.24	16.90	18.70	0.77
431001360FEN	08B-2	12.700	8.51	7.75	4.45	31.20	32.20	11.80	1.60	13.92	32.00	8.70	1.34
431001450FEN	10B-2	15.875	10.16	9.65	5.08	36.10	37.50	14.70	1.70	16.59	44.50	56.20	1.84
431001540FEN	12B-2	19.050	12.07	11.68	5.72	42.00	43.60	16.00	1.85	19.46	57.80	66.10	2.31
431001630FEN	16B-2	25.400	15.88	17.02	8.28	68.00	69.30	21.00	4.15/3.1	31.88	106.00	133.00	5.42
431001720FEN	20B-2	31.750	19.05	19.56	10.19	77.80	81.50	26.40	4.5/3.5	36.45	170.00	211.20	7.20
431001810FEN	24B-2	38.100	25.40	25.40	14.63	101.70	106.20	33.20	6.0/4.8	48.36	280.00	319.20	13.40
431001900FEN	28B-2	44.450	27.94	30.99	15.90	124.60	129.10	36.70	7.5/6.0	59.56	360.00	406.80	16.60
431001990FEN	32B-2	50.800	29.21	30.99	17.81	124.60	129.60	42.00	7.0/6.0	58.55	450.00	508.50	21.00
431002080FEN	40B-2	63.500	39.37	38.10	22.89	154.50	161.50	52.96	8.5/8.0	72.29	630.00	711.90	32.00
431002170FEN	48B-2	76.200	48.26	45.72	29.24	190.40	198.20	63.80	12/10	91.21	1000.00	1130.00	50.00
TRIPLEX													
431001240FEN	*06B-3	9.525	6.35	5.72	3.28	33.50	34.60	8.20	1.30	10.24	24.90	30.10	1.16
431001390FEN	08B-3	12.700	8.51	7.75	4.45	45.10	46.10	11.80	1.60	13.92	47.50	57.80	2.03
431001480FEN	10B-3	15.875	10.16	9.65	5.08	52.70	54.10	14.70	1.70	16.59	66.70	84.50	2.77
431001570FEN	12B-3	19.050	12.07	11.68	5.72	61.50	63.10	16.00	1.85	19.46	86.70	101.80	3.46
431001660FEN	16B-3	25.400	15.88	17.02	8.28	99.80	101.20	21.00	4.15/3.1	31.88	160.00	203.70	8.13
431001750FEN	20B-3	31.750	19.05	19.56	10.19	114.20	117.90	26.40	4.5/3.5	36.45	250.00	290.00	10.82
431001840FEN	24B-3	38.100	25.40	25.40	14.63	150.10	154.60	33.20	6.0/4.8	48.36	425.00	493.00	20.10
431001930FEN	28B-3	44.450	27.94	30.99	15.90	184.20	188.70	36.70	7.5/6.0	59.56	530.00	609.50	24.92
431002020FEN	32B-3	50.800	29.21	30.99	17.81	183.20	188.20	42.00	7.0/6.0	58.55	670.00	770.50	31.56
431002110FEN	40B-3	63.500	39.37	38.10	22.89	226.80	233.80	52.96	8.5/8.0	72.29	950.00	1092.50	48.10
431002200FEN	48B-3	76.200	48.26	45.72	29.24	281.60	289.40	63.80	12/10	91.21	1500.00	1710.00	75.00

* Straight side plates.

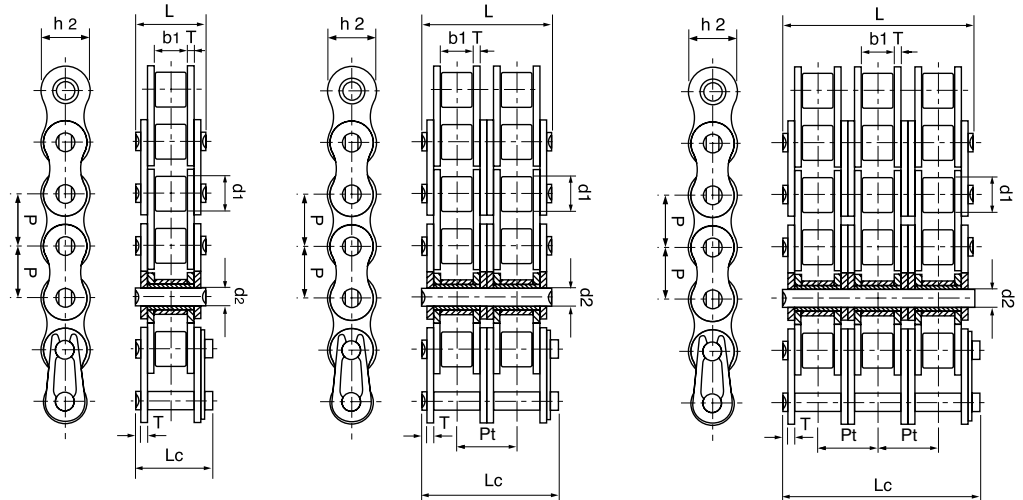
Dimensions in mm.

Chain is sold in units of feet.



AMERICAN STANDARD ROLLER CHAINS

ANSI B29.1, ISO R606, DIN 8188



ANSI standard chain is dimensionally similar to BS chain but with generally thicker plates resulting in a narrower b1 dimension between inner plates. The pitching between strands of duplex and triplex chain, dimension Pt may also vary from BS chain.

Care should be taken to ensure that correct sprockets are used with ANSI chain.

Product Code	ANSI Chain No	ISO Chain No	Pitch	Roller Diameter	Width Between Inner Plates	Pin Diameter	Pin Length		Inner Plate Depth	Plate Thickness	Transverse Pitch	Minimum Tensile Strength	Average Tensile Strength	Weight per Metre
			P mm	d1 max mm	min mm	d2 max mm	L max mm	Lc max mm	h2 max mm	T max mm	Pt mm	Q min kN	Q0 kN	q kg/m
SIMPLEX														
431004060FEN	•25	•04C-1	6.350	3.30	3.18	2.31	7.90	8.40	6.00	0.80		3.50	4.60	0.15
431004150FEN	•35	•06C-1	9.525	5.08	4.77	3.58	12.40	13.17	9.00	1.30		7.90	10.80	0.33
431004240FEN	40	08A-1	12.700	7.95	7.85	3.96	16.60	17.80	12.00	1.50		14.10	17.50	0.62
431004330FEN	41	085-1	12.700	7.77	6.25	3.58	13.75	15.00	9.91	1.30		6.67	12.60	0.41
431004390FEN	50	10A-1	15.875	10.16	9.40	5.08	20.70	22.20	15.09	2.03		22.20	29.40	1.02
431004480FEN	60	12A-1	19.050	11.91	12.57	5.94	25.90	27.70	18.00	2.42		31.80	41.50	1.50
431004570FEN	80	16A-1	25.400	15.88	15.75	7.92	32.70	35.00	24.00	3.25		56.70	69.40	2.60
431004660FEN	100	20A-1	31.750	19.05	18.90	9.53	40.40	44.70	30.00	4.00		88.50	109.20	3.91
431004750FEN	120	24A-1	38.100	22.23	25.22	11.10	50.30	54.30	35.70	4.80		127.00	156.30	5.62
431004840FEN	140	28A-1	44.450	25.40	25.22	12.70	54.40	59.00	41.00	5.60		172.40	212.00	7.50
431004930FEN	160	32A-1	50.800	28.58	31.55	14.27	64.80	69.60	47.80	6.40		226.80	278.90	10.10
431005020FEN	180	36A-1	57.150	35.71	35.48	17.46	72.80	78.60	53.60	7.20		280.20	341.80	13.45
431005110FEN	200	40A-1	63.500	39.68	37.85	19.85	80.30	87.20	60.00	8.00		353.80	431.60	16.15
431005200FEN	240	48A-1	76.200	47.63	47.35	23.81	95.50	103.00	72.39	9.50		510.30	622.50	23.20
DUPLEX														
431004090FEN	•25-2	•04C-2	6.350	3.30	3.18	2.31	14.50	15.00	6.00	0.80	6.40	7.00	8.60	0.28
431004180FEN	•35-2	•06C-2	9.525	5.08	4.77	3.58	22.50	23.30	9.00	1.30	10.13	15.80	19.70	0.63
431004270FEN	40-2	08A-2	12.700	7.95	7.85	3.96	31.00	32.20	12.00	1.50	14.38	28.20	35.90	1.12
431004420FEN	50-2	10A-2	15.875	10.16	9.40	5.08	38.90	40.40	15.09	2.03	18.11	44.40	58.10	2.00
431004510FEN	60-2	12A-2	19.050	11.91	12.57	5.94	48.80	50.50	18.00	2.42	22.78	63.60	82.10	2.92
431004600FEN	80-2	16A-2	25.400	15.88	15.75	7.92	62.70	64.30	24.00	3.25	29.29	113.40	141.80	5.15
431004690FEN	100-2	20A-2	31.750	19.05	18.90	9.53	76.40	80.50	30.00	4.00	35.76	177.00	219.40	7.80
431004780FEN	120-2	24A-2	38.100	22.23	25.22	11.10	95.80	99.70	35.70	4.80	45.44	254.00	314.90	11.70
431004870FEN	140-2	28A-2	44.450	25.40	25.22	12.70	103.30	107.90	41.00	5.60	48.87	344.80	427.50	15.14
431004960FEN	160-2	32A-2	50.800	28.58	31.55	14.27	123.30	128.10	47.80	6.40	58.55	453.60	562.40	20.14
431005050FEN	180-2	36A-2	57.150	35.71	35.48	17.46	138.60	144.40	53.60	7.20	65.84	560.50	695.00	29.22
431005140FEN	200-2	40A-2	63.500	39.68	37.85	19.85	151.90	158.80	60.00	8.00	71.55	707.60	877.40	32.24
431005230FEN	240-2	48A-2	76.200	47.63	47.35	23.81	183.40	190.80	72.39	9.50	87.83	1020.60	1255.30	45.23
TRIPLEX														
431004120FEN	•25-3	•04C-3	6.350	3.30	3.18	2.31	21.00	21.50	6.00	0.80	6.40	10.50	12.60	0.44
431004210FEN	•35-3	•06C-3	9.525	5.08	4.77	3.58	32.70	33.50	9.00	1.30	10.13	23.70	28.60	1.05
431004300FEN	40-3	08A-3	12.700	7.95	7.85	3.96	45.40	46.60	12.00	1.50	14.38	42.30	50.00	1.90
431004450FEN	50-3	10A-3	15.875	10.16	9.40	5.08	57.00	58.50	15.09	2.03	18.11	66.60	77.80	3.09
431004540FEN	60-3	12A-3	19.050	11.91	12.57	5.94	71.50	73.30	18.00	2.42	22.78	95.40	111.10	4.54
431004630FEN	80-3	16A-3	25.400	15.88	15.75	7.92	91.70	93.60	24.00	3.25	29.29	170.10	198.40	7.89
431004720FEN	100-3	20A-3	31.750	19.05	18.90	9.53	112.20	116.30	30.00	4.00	35.76	265.50	309.60	11.77
431004810FEN	120-3	24A-3	38.100	22.23	25.22	11.10	141.40	145.20	35.70	4.80	45.44	381.00	437.20	17.53
431004900FEN	140-3	28A-3	44.450	25.40	25.22	12.70	152.20	156.80	41.00	5.60	48.87	517.20	593.30	22.20
431004990FEN	160-3	32A-3	50.800	28.58	31.55	14.27	181.80	186.60	47.80	6.40	58.55	680.40	780.60	30.02
431005080FEN	180-3	36A-3	57.150	35.71	35.48	17.46	204.40	210.20	53.60	7.20	65.84	840.70	983.60	38.22
431005170FEN	200-3	40A-3	63.500	39.68	37.85	19.85	223.50	230.40	60.00	8.00	71.55	1061.40	1217.80	49.03
431005260FEN	240-3	48A-3	76.200	47.63	47.35	23.81	271.30	278.60	72.39	9.50	87.83	1530.90	1756.50	71.60

• Bushing chain, d1 indicates the external diameter of the bushing. Cottered chain can be supplied for all chains of 19.05 mm pitch and above.

Dimensions in mm.

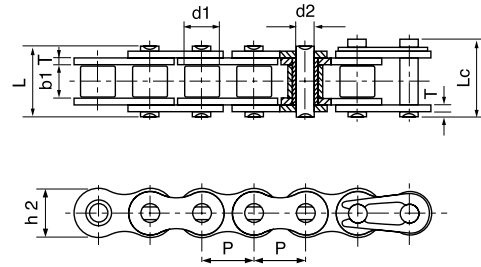
Chain is sold in units of feet.

AMERICAN STANDARD ROLLER CHAINS

"H" SERIES ROLLER CHAINS

ANSI "H" Series chains are dimensionally identical to ANSI standard chains except that the sideplates are thicker. The heavier side plates provide some additional fatigue resistance. They are primarily intended for applications where occasional shock loads are likely to cause fatigue failures in the chain. Whilst there is an increase in tensile strength, the wear life of the case hardened pins remains the same as for standard chain.

Simplex "H" series chains operate on standard ANSI sprockets. Multiple strand "H" chain require non-standard ANSI sprockets because of the thicker side plates.



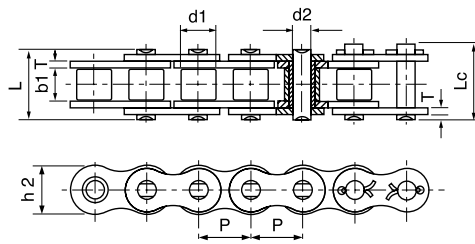
Product Code	ANSI Chain No	Pitch	Roller Diameter	Width Between Inner Plates	Pin Diameter	Pin Length		Inner Plate Depth	Plate Thickness	Minimum Tensile Strength	Average Tensile Strength	Weight per Metre
		P mm	d1 max mm	b1 min mm	d2 max mm	L max mm	Lc max mm	h2 max mm	T max mm	Q min kN	Q0 kN	q kg/m
431007860FEN	40H	12.700	7.95	7.85	3.96	18.80	19.90	12.00	2.03	14.10	19.10	0.82
431007890FEN	50H	15.875	10.16	9.40	5.08	22.10	23.40	15.09	2.42	22.20	30.20	1.25
431007920FEN	60H	19.050	11.91	12.57	5.94	29.20	31.00	18.00	3.25	31.80	42.70	1.87
431007950FEN	80H	25.400	15.88	15.75	7.92	36.20	37.70	24.00	4.00	56.70	71.40	3.10
431007980FEN	100H	31.750	19.05	18.90	9.53	43.60	46.90	30.00	4.80	88.50	112.40	4.52
431008010FEN	120H	38.100	22.23	25.22	11.10	53.50	57.50	35.70	5.60	127.00	160.90	6.60
431008040FEN	140H	44.450	25.40	25.22	12.70	57.60	62.20	41.00	6.40	172.40	217.30	8.30
431008070FEN	160H	50.800	28.58	31.55	14.27	68.20	73.00	47.80	7.20	226.80	285.80	10.30
431008100FEN	200H	63.500	39.68	37.85	19.85	86.60	93.50	60.00	9.50	353.80	444.50	19.16

Note; Refer to your local Authorised Distributor for dimensional details of ANSI "H" Series multiple strand chain Chain is sold in units of feet.

"SH" SERIES ROLLER CHAINS

ANSI "SH" series chains are identical to "H" series but they have a different pin material, which is through hardened. The surface hardness is less than that of the carburised pins in the ANSI standard and ANSI "H" series chains but through hardened pins provide additional fatigue resistance, at some slight sacrifice in wear life.

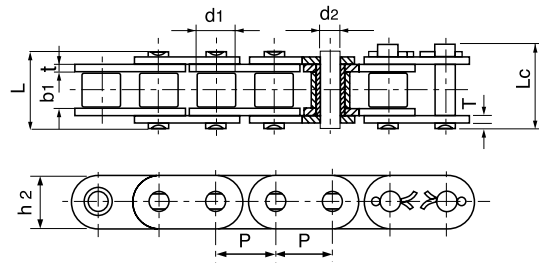
Simplex "SH" series chains operate on standard ANSI sprockets. Multiple strand "SH" series chain requires non-standard ANSI sprockets because of the thicker side plates.



ANSI Chain No	Pitch	Roller Diameter	Width Between Inner Plates	Pin Diameter	Pin Length		Inner Plate Depth	Plate Thickness	Minimum Tensile Strength	Average Tensile Strength	Weight per Metre
	P mm	d1 max mm	b1 min mm	d2 max mm	L max mm	Lc max mm	h2 max mm	T max mm	Q min kN	Q0 kN	q kg/m
40SH	12.700	7.95	7.85	3.96	18.80	19.90	12.00	2.03	22.40	24.80	0.82
50SH	15.875	10.16	9.40	5.08	22.10	23.40	15.09	2.42	30.40	36.20	1.25
60SH	19.050	11.91	12.57	5.94	29.20	31.60	18.00	3.25	44.10	50.40	1.87
80SH	25.400	15.88	15.75	7.92	36.20	37.70	24.00	4.00	88.20	93.00	3.10
100SH	31.750	19.05	18.90	9.53	43.60	46.90	30.00	4.80	116.60	129.10	4.52
120SH	38.100	22.23	25.22	11.10	53.50	57.50	35.70	5.60	158.20	175.30	6.60
140SH	44.450	25.40	25.22	12.70	57.60	62.20	41.00	6.40	206.00	266.50	8.30
160SH	50.800	28.58	31.55	14.27	68.20	73.00	47.80	7.20	274.00	293.00	10.30
200SH	63.500	39.68	37.85	19.85	86.60	93.50	60.00	9.50	506.10	562.30	19.16

Chain is sold in units of feet.

ROLLER CHAINS WITH STRAIGHT SIDE PLATES

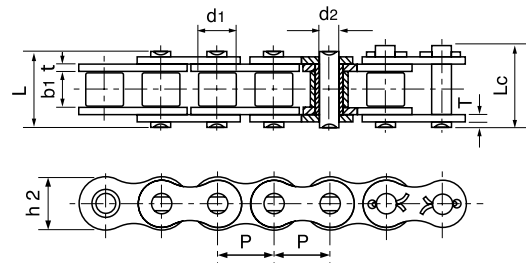


Product Code	DIN ISO Chain No	Pitch	Roller Diameter	Width Between Inner Plates	Pin Diameter	Pin Length		Plate Depth	Plate Thickness	Minimum Tensile Strength	Average Tensile Strength	Weight per Metre
		P mm	d1 max mm	b1 min mm	d2 max mm	L max mm	Lc max mm	h2 max mm	t/T max mm	Q min kN	Q0 kN	q kg/m
431009160FEN	C08B-1	12.700	8.51	7.75	4.45	16.70	18.20	11.80	1.60	18.00	19.50	0.80
431009220FEN	C10B-1	15.875	10.16	9.65	5.08	19.50	20.90	14.70	1.70	22.40	27.09	1.06
431009280FEN	C12B-1	19.050	12.07	11.68	5.72	22.50	25.20	16.00	1.85	29.00	32.20	1.32
431009340FEN	C16B-1	25.400	15.88	17.02	8.28	36.10	39.10	21.00	4.15/3.1	60.00	72.80	3.08
431009350FEN	C16B-/24	25.400	15.88	17.02	8.28	36.10	39.10	24.00	4.15/3.1	60.00	72.80	3.49
431009400FEN	C20B-1	31.750	19.05	19.56	10.19	41.30	45.00	26.40	4.5/3.5	95.00	106.70	4.16
431009460FEN	C24B-1	38.100	25.40	25.40	14.63	53.40	57.80	33.20	6.0/4.8	160.00	178.00	7.47

Chain is sold in units of feet.

STAINLESS STEEL CHAINS

Material: AISI 304 Stainless Steel for optimum corrosion resistance, having regard for tensile strength and wear life considerations. Stainless steel chain is not as hard or as strong as carbon steel chain. AISI 304 Stainless Steel may have some slight residual magnetism due to cold working of the pins, bushes and rollers in manufacture. For applications where non-magnetic chain is required consult your local Authorised Distributor.



Product Code	Chain No	Pitch	Roller Diameter	Width Between Inner Plates	Pin Diameter	Pin Length		Inner Plate Depth	Plate Thickness	Minimum Tensile Strength	Average Tensile Strength	Weight per Metre
		P mm	d1 max mm	b1 min mm	d2 max mm	L max mm	Lc max mm	h2 max mm	t/T mm	Q min kN	Q0 kN	q kg/m
431007060FEN	04B-1SS	6.000	4.00	2.80	1.85	6.80	7.80	5.00	0.60	2.00	2.40	0.11
431007090FEN	05B-1SS	8.000	5.00	3.00	2.31	8.20	8.90	7.10	0.80	3.50	4.10	0.20
431007105FEN	*06B-1SS	9.525	6.35	5.72	3.28	13.15	14.10	8.20	1.30	6.20	6.80	0.41
431007120FEN	08B-1SS	12.700	8.51	7.75	4.45	16.70	18.20	11.80	1.60	12.00	14.30	0.70
431007150FEN	10B-1SS	15.875	10.16	9.65	5.08	19.50	20.90	14.70	1.70	14.50	17.20	0.94
431007180FEN	12B-1SS	19.050	12.07	11.68	5.72	22.50	24.20	16.00	1.85	18.50	20.90	1.16
431007210FEN	16B-1SS	25.400	15.88	17.02	8.28	36.10	37.40	21.00	4.15/3.1	40.00	47.60	2.73
431007240FEN	20B-1SS	31.750	19.05	19.56	10.19	41.30	45.00	26.40	4.5/3.5	59.00	69.60	3.73
431007460FEN	•35SS	9.525	5.08	4.77	3.58	12.40	13.17	9.00	1.30	5.50	6.60	0.33
431007490FEN	40SS	12.700	7.95	7.85	3.96	16.60	17.80	12.00	1.50	9.60	10.80	0.63
431007520FEN	50SS	15.875	10.16	9.40	5.08	20.70	22.20	15.00	2.03	15.20	17.20	1.03
431007550FEN	60SS	19.050	11.91	12.57	5.94	25.90	27.70	18.00	2.42	21.70	26.40	1.51
431007580FEN	80SS	25.400	15.88	15.75	7.92	32.70	35.00	24.00	3.25	38.90	46.60	2.62

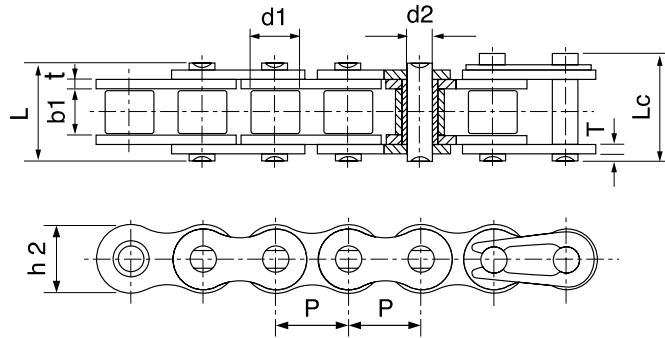
* Straight Side Plates.

• Bushing chain, d1 indicates the external diameter of the bushing.

Chain is sold in units of feet.

FENNER SPECIAL CHAINS

Also available are the extended range of "Special" chains which are widely used industrial standards but not part of any ISO or ANSI International Standards.



Chain No	Pitch	Roller Diameter	Width Between Inner Plates	Pin Diameter	Pin Length		Inner Plate Depth	Plate Thickness	Minimum Tensile Strength	Average Tensile Strength	Weight per Metre
	P mm	d1 max mm	b1 min mm	d2 max mm	L max mm	Lc max mm	h2 max mm	t/T max mm	Q min kN	Qo kN	q kg/m
04BH	6.00	4.00	2.80	1.85	8.40	9.40	5.00	0.90	5.00	5.30	0.14
415	12.70	7.77	4.76	3.60	11.00	12.40	9.70	1.00	6.86	7.60	0.32
415H	12.70	7.77	4.76	3.96	13.10	14.50	12.00	1.50	14.40	16.10	0.55
415B	12.70	7.75	4.88	4.09	12.90	14.40	10.30	1.30	12.00	14.20	0.44
415BF1	12.70	7.75	4.88	4.09	11.50	13.00	10.30	1.00	9.00	10.60	0.38
423	12.70	8.51	6.40	4.45	15.60	17.10	12.40	1.70	19.60	21.90	0.71
478	12.70	7.80	4.80	4.00	11.60	13.65	10.46	1.25	9.80	12.80	0.39
08BF	12.70	8.51	5.55	4.45	14.60	16.10	11.80	1.60	17.80	19.20	0.66
12BV	19.05	12.07	11.68	6.10	24.50	26.50	16.00	2.42	36.00	39.90	1.43
12BH	19.05	12.07	11.68	5.94	25.20	26.80	16.00	2.42	40.00	44.40	1.45
12BHF1	19.05	12.07	11.68	6.10	25.00	27.20	16.50	2.50	44.00	48.80	1.46
16BF1	25.40	15.88	12.20	8.28	31.40	32.70	21.00	4.15/3.1	60.00	71.40	2.60
16BF2	25.40	15.88	17.02	8.28	38.60	39.80	21.00	4.15	60.00	71.40	3.08
16BF5	25.40	15.88	12.70	8.28	30.80	32.10	20.00	3.5/3.0	50.00	57.50	2.37
16BH	25.40	15.88	17.02	8.90	35.70	38.90	24.10	4.0/3.1	80.00	94.20	3.11
24BH	38.10	25.40	25.40	14.63	58.60	63.40	36.20	7.5/6.0	225.00	250.30	9.00

Chain is sold in units of feet.