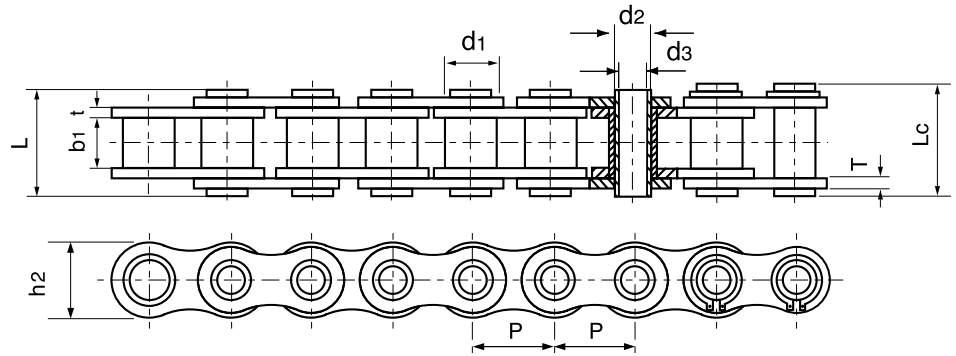
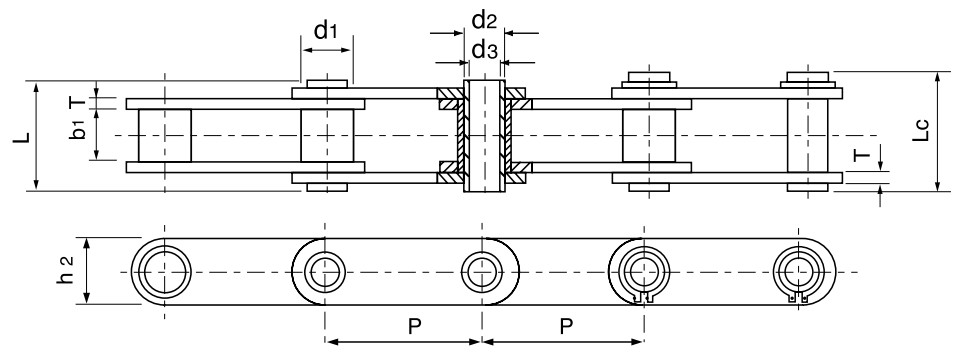


HOLLOW PIN CHAINS

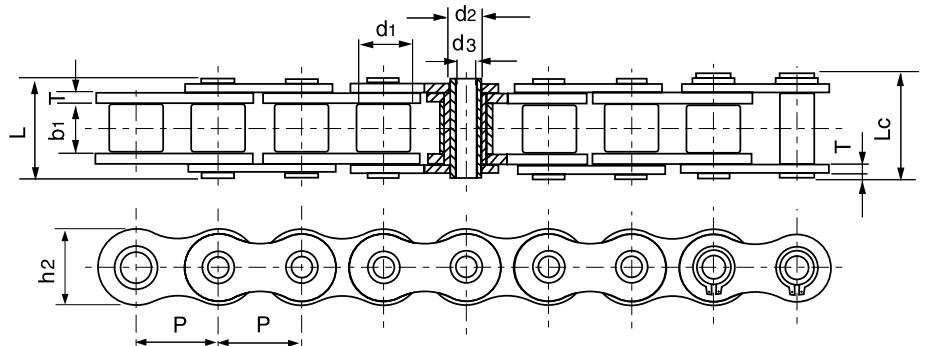
TYPE A - BUSHED



TYPE B - BUSHED



TYPE C - ROLLER



Product Code	Chain No	Pitch	Bush / Roller Diameter	Width Between Inner Plates	Pin Diameter		Pin Length		Inner Plate Depth	Plate Thickness	Minimum Tensile Strength	Average Tensile Strength	Weight per Metre	Type
		P mm	d1 max mm	b1 min mm	d2 max mm	d3 max mm	L max mm	Lc max mm	h2 max mm	t/T max mm	Q min kN	Q0 kN	q kg/m	
431010460FEN	08BHP	12.700	8.51	7.75	6.55	4.50	16.40	17.60	11.80	1.60/1.30	11.10	12.10	0.56	A
431010490FEN	10BHP	15.875	10.16	9.65	5.94	4.04	19.30	20.60	14.70	1.70	17.00	20.80	0.86	C
431010520FEN	12BHP	19.050	12.07	11.68	6.50	4.00	21.60	22.80	15.90	1.85	23.60	25.90	1.09	C
431010060FEN	40HP	12.700	7.95	7.85	5.63	4.00	16.50	17.60	12.00	1.50	11.00	12.20	0.54	A
431010090FEN	50HP	15.875	10.16	9.40	7.03	5.13	20.70	21.90	15.09	2.03	20.00	22.60	0.91	A
431010100FEN	60HP/5.01	19.050	11.91	12.70	7.00	5.01	25.50	26.60	18.00	2.42	20.00	22.40	1.35	C
431010120FEN	60HP/6.00	19.050	11.91	12.70	8.31	6.00	25.80	26.80	18.00	2.42	24.00	26.90	1.29	A
431010150FEN	80HP	25.400	15.88	15.75	11.40	8.05	32.50	33.80	24.00	3.25	50.00	58.30	2.26	A
431010260FEN	C2040HP	25.400	7.95	7.85	5.63	4.00	16.50	17.60	12.00	1.50	11.00	12.60	0.46	B
431010290FEN	C2050HP	31.750	10.16	9.40	7.22	5.12	20.50	21.80	15.00	2.03	20.40	22.80	0.76	B
431010320FEN	C2060HP	38.100	11.91	12.70	8.31	6.00	25.80	26.80	18.00	2.42	24.00	27.10	1.02	B
431010350FEN	C2080HP	50.800	15.88	15.75	11.40	8.05	32.50	33.80	24.00	3.25	50.00	55.20	1.81	B

Chain is sold in units of feet.